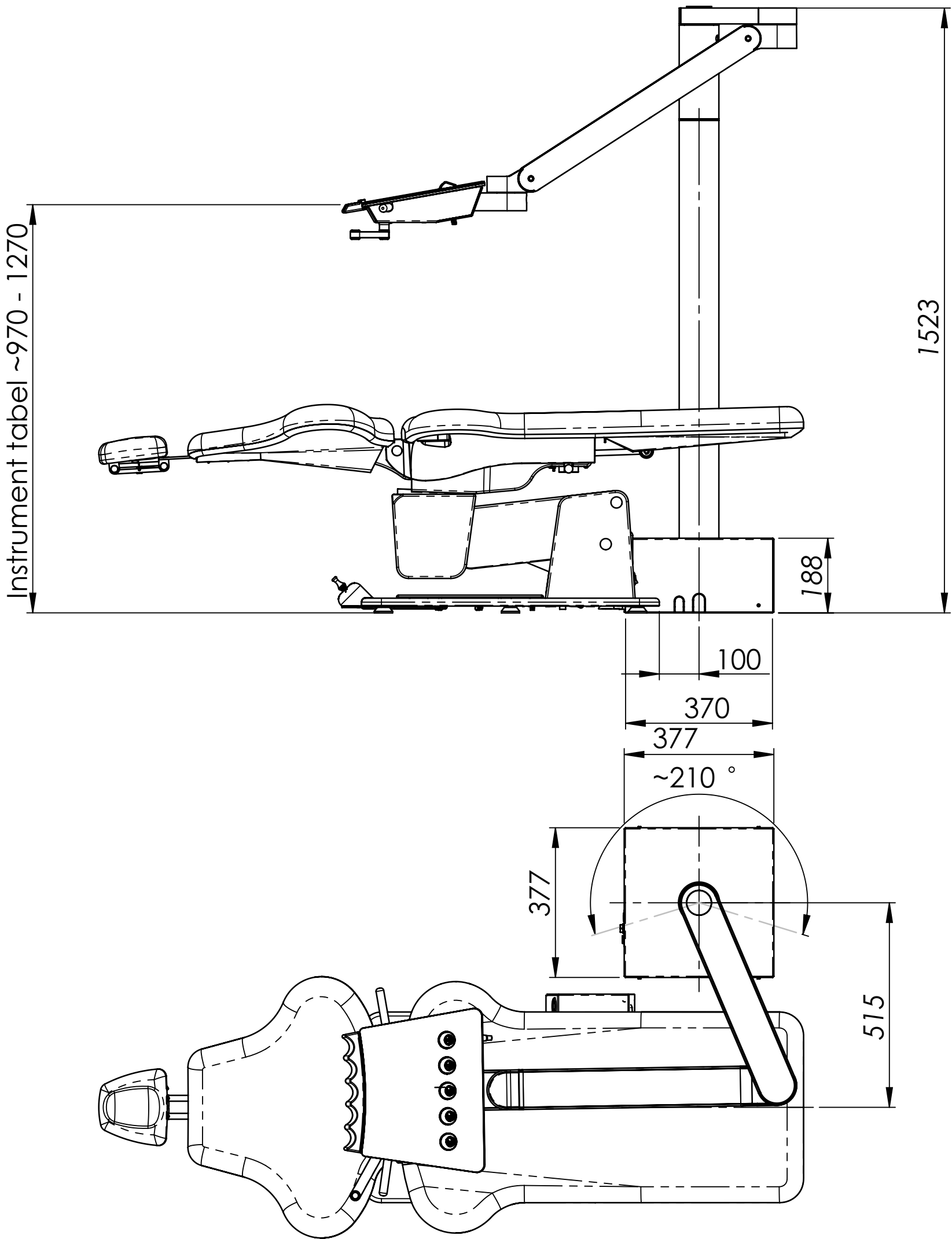


HEKA



Holes for mounting the unit to the floor

Holes for wires and hoses

